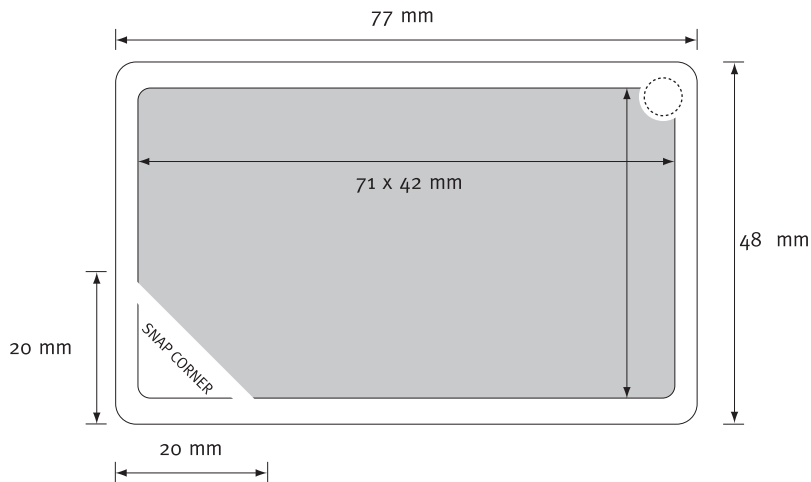


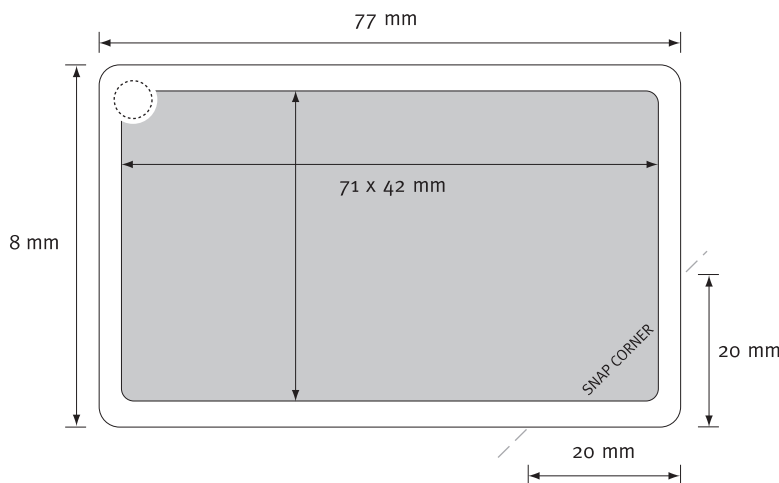
# Product Information Sheet

## Mint Card / Vip Card (pad printing)

Frontside



Backside



### Peppermint dragées 7mm sugar free with sweeteners

net weight: 7g  
weight per dragée: 0,15 g

Ingredients specification:  
sorbitol, natural peppermint oil, aspartame,  
magnesium stearate, coconut oil, natural  
menthol, acesulfame K.

Contains a phenylalanine source.  
Overconsumption may result in a laxative  
effect.

Nutritive values per 100g: calorific value  
1006 kJ, 241 kcal, protein 0,4g,  
carbohydrates 97g, thereof sugar 0g,  
polyols 97g, fat 0,8g, thereof fatty acids  
0,8g, fibres 0g, sodium <0,01g.  
Made in Germany

Best before:

Produced for:



Unprintable area

Readable print area

	<p>The files have preferably been created with Adobe Illustrator (CS5), Adobe Photoshop (CS5) or Macromedia Freehand MX. In addition, Adobe InDesign (CS5), Adobe Acrobat, CorelDraw (11) as well as QuarkXPress (8) are possible too.</p>
	<p>Images should have a resolution of at least 300 dpi, logos and other objects of at least 1200 dpi. The best results are achieved with vectorized files. Vectorize all fonts or provide all fonts used (for PC).</p>
	<p>Indicate as CMYK (4c Euroscale), or as special colours (HKS-K or PANTONE® C). No RGB! Printed colours always have a glazed finish. Glazed colours are not covering and often don't provide the desired colours if they are not initially underlaid with white.</p>
	<p>According to EU directive 187/2002 for the improvement of food safety, all products have to have a certificate of origin. Final consumer, trader, or agency can decide if they themselves or the producer should be mentioned as the distributor on the packaging. In addition, every packaging has to include the ingredients and the best-before date for customer information.</p>