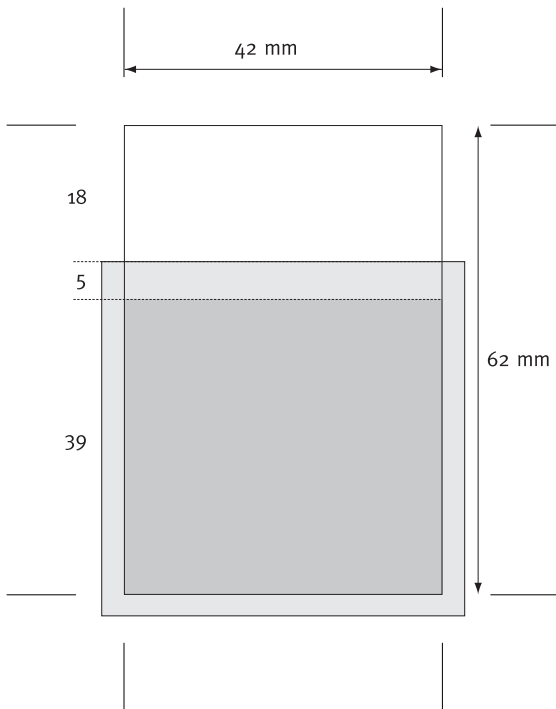


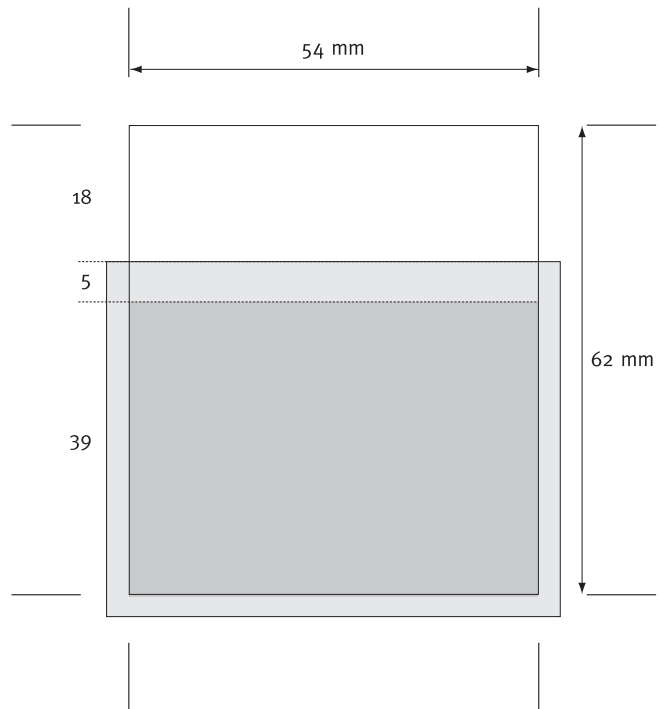
Product Information Sheet

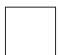


Packet of 9 and 12 round mints (offset printing)





Packet of
9 round mints (42 x 62 mm)



Packet of
12 round mints (54 x 62 mm)



-  Unprintable area
-  Bleed 3 mm
-  Readable print area

	<p>The files have preferably been created with Adobe Illustrator (CS5), Adobe Photoshop (CS5) or Macromedia Freehand MX. In addition, Adobe InDesign (CS5), Adobe Acrobat, CorelDraw (11) as well as QuarkXPress (8) are possible too.</p>
	<p>Images should have a solution of at least 300 dpi, logos and other objects of at least 1200 dpi. The best results are achieved with vectorized files.</p> <p>Vectorize all fonts or provide all fonts used (for PC).</p>
	<p>Indicate as CMYK (4c Euroscale), or as PANTONE special colours. No HKS or RGB!</p> <p>Printed colours always have a glazed finish. Glazed colours are not covering and often don't provide the desired colours if they are not initially underlaid with white.</p>
	<p>Certificate of origin, ingredients and best-before date are omitted as the advertising space is less than 10 cm².</p>