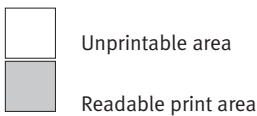
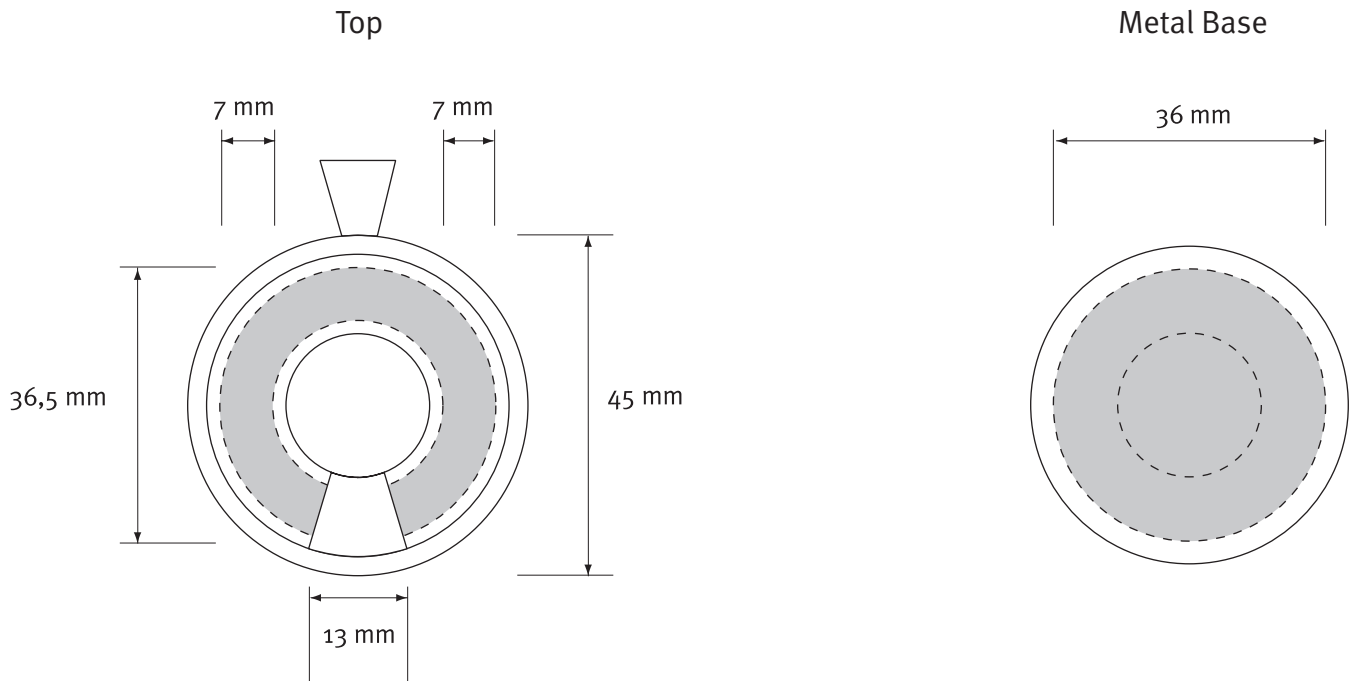






# Product Information Sheet

## FXbox (pad printing)



	<p>The files have preferably been created with Adobe Illustrator (CS5), Adobe Photoshop (CS5) or Macromedia Freehand MX. In addition, Adobe InDesign (CS5), Adobe Acrobat, CorelDraw (11) as well as QuarkXPress (8) are possible too.</p>
	<p>Images should have a resolution of at least 300 dpi, logos and other objects of at least 1200 dpi. The best results are achieved with vectorized files.</p> <p>Vectorize all fonts or provide all fonts used (for PC).</p>
	<p>Indicate as CMYK (4c Euroscale), or as special colours (HKS-K or PANTONE® C). No RGB!</p> <p>Printed colours always have a glazed finish. Glazed colours are not covering and often don't provide the desired colours if they are not initially underlaid with white.</p>
	<p>According to EU directive 187/2002 for the improvement of food safety, all products have to have a certificate of origin. Final consumer, trader, or agency can decide if they themselves or the producer should be mentioned as the distributor on the packaging. In addition, every packaging has to include the ingredients and the best-before date for customer information.</p>